

ELECTRIC SCISSOR LIFTS

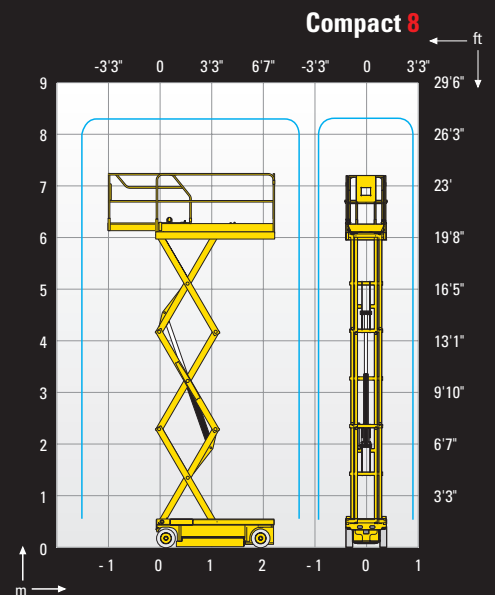
COMPACT 8 COMPACT 10 N

Optimum compactness

- ➔ Width of 81 cm to operate in the most congested areas
- ➔ Compact stowed height for easy access through standard doorways

Exceptional productivity:

- ➔ Load capacity up to 350 kg (C8)
- ➔ Driveable at full height
- ➔ Extended platform
- ➔ High Operating Autonomy
- ➔ Robust, reliable, easy to maintain



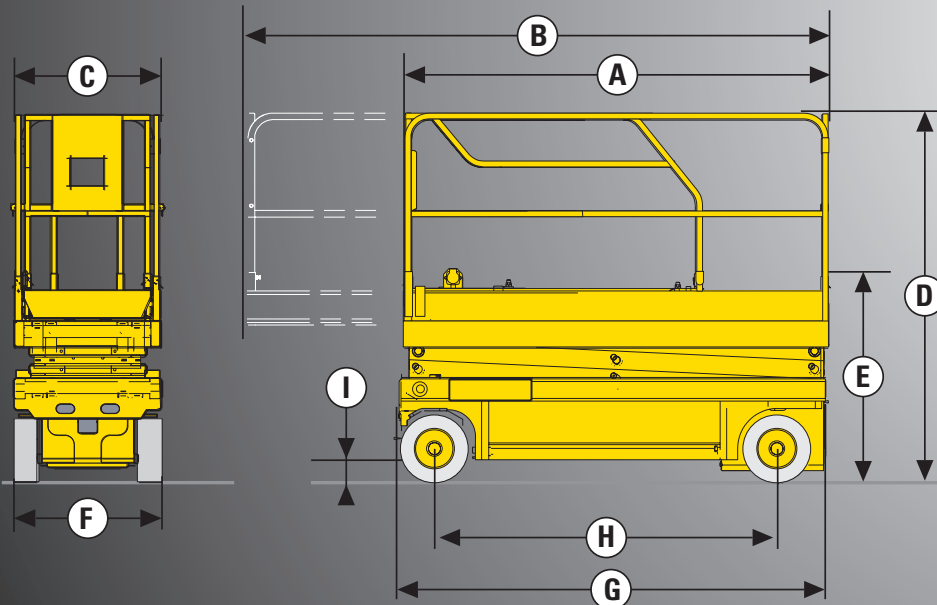
www.haulotte.com

Haulotte
GROUP

Experience in innovation

COMPACT 8 / COMPACT 10 N

ELECTRIC SCISSOR LIFTS



TECHNICAL DATA

Compact 8

Compact 10 N

Working height	8.2 m	10 m
Platform height	6.2 m	8 m
Driveable at full height up to	6.2 m	8 m
Lift capacity - inside	350 kg	230 kg
Lift capacity - outside	120 kg	N/A
A - Platform length - outside	2.3 m	2.3 m
B - Platform length - extended	3.22 m	3.22 m
Length - extension	0.92 m	0.92 m
C - Platform width - outside	0.8 m	0.8 m
E - Storage height	1.13 m	1.33 m
D - Height - stowed	2 m	2.17 m
F - Overall width	0.81 m	0.81 m
G - Length	2.48 m	2.48 m
H - Wheelbase	1.86 m	1.86 m
I - Ground clearance - Centre	12.5 cm	12.5 cm
Ground clearance - Pothole guards deployed	2.5 cm	2.5 cm
Drive speed	1 - 3.5 km/h	1 - 3.5 km/h
Gradeability	23 %	23 %
Tilt	2 °	2 °
Lift / lower speed	41 s / 37 s	51 s / 42 s
Turning radius - outside	2.38 m	2.38 m
Tyres - non marking	15x5	15x5
Batteries	24 V - 185 Amph (C5)	24 V - 185 Amph (C5)
Weight	1730 kg	2160 kg

STANDARD EQUIPMENT

- Pothole guards
- Battery charge indicator
- Proportional lift and drive
- Folding handrails (C10N)
- Swing out component tray
- Battery charger with automatic stop
- Solid non-marking tyres
- Free wheeling device
- Tilt controller
- Load Management System in the platform
- Manual platform lowering valve
- Integrated forklift pockets
- Towing hooks
- Horn
- Hourmeter

OPTIONS AND ACCESSORIES

- Flashing light
- Travel alarm
- Working light
- Power to platform
- Biodegradable hydraulic oil
- Folding guardrails (C8)
- Centralised batteries filling



Haulotte
GROUP