



SJ45 T TELESCOPIC BOOM

STANDARD FEATURES

- Axle based 4WD system
- “Detroit Locker” type rear differential and limited slip front differential
- Oscillating axle
- Drivable at full height
- 45% gradeability
- 48 HP Deutz Diesel engine
- Swing out engine tray
- Swing up cowlings
- Modular platform railing system
- Tri-entry sliding mid rails
- Wiring for AC outlet on platform
- EasyDrive™ direction sensing drive and steer controls
- Proportional controls
- Relay based control system
- Colour coded and numbered wiring
- 360° Continuous turret rotation
- Hourmeter
- Operator horn
- Flashing light
- All motion alarm
- Overload sensing system
- 7.5 kW Generator (includes hydraulic oil cooler)
- Tie down/lifting lugs
- Wet disc SAHR brakes (rear axle)
- 12 x 16.5 Grip lug foam-filled non-marking tyres
- Secondary guarding electrical (SGE)

ACCESSORIES AND OPTIONS

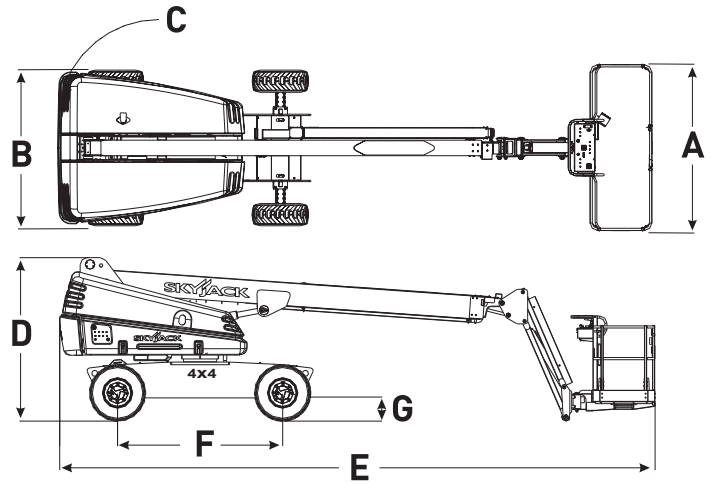
- 0.91 x 1.83 m Platform
- Half-height mesh platform (either size)
- Diesel scrubber
- 1/2” Airline to platform
- Glazier kit
- Pipe rack
- Tool caddy
- Rear gate
- Bio oil
- Auxiliary top rail (0.91 x 2.44 m platform only)
- Control box cover

† Standard lead times may be increased when optional equipment is added, consult factory.

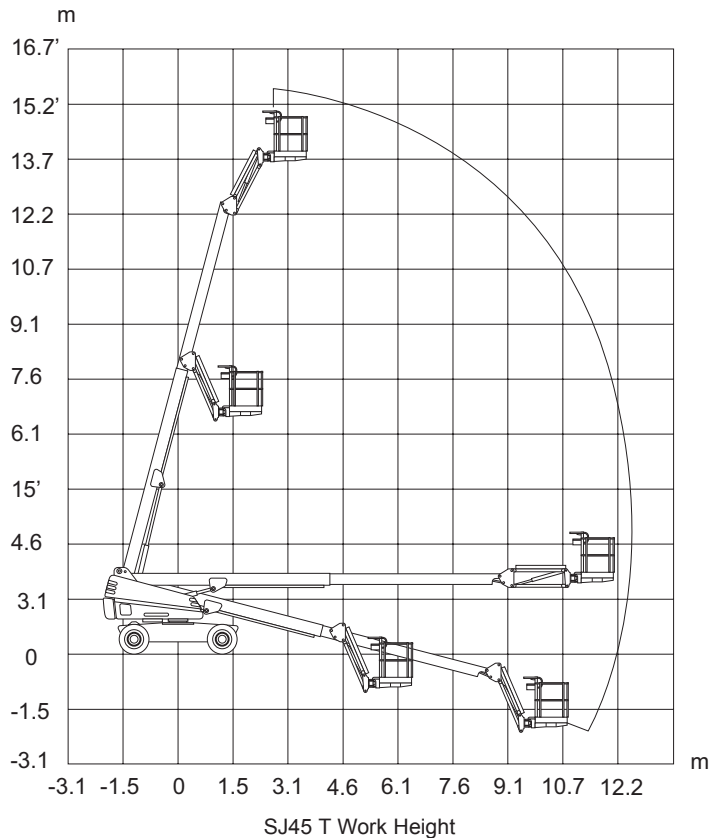
‡ Capacities, and machine weights may differ when options are added.

SJ45 T TELESCOPIC BOOMS

Dimensions	SJ45 T
Work Height	15.77 m
Platform Height	13.77 m
Horizontal Reach	12.12 m
A Platform Size	0.90 x 2.44 m
B Stowed Width	2.29 m
C Tailswing	0.94 m
D Stowed Height	2.39 m
E Stowed Length	8.79 m
F Wheelbase	2.44 m
G Ground Clearance	0.28 m



Specifications	SJ45 T
Rotation	360° Continuous
Platform Rotation	170°
Jib Length	1.5 m
Jib Range +/-	+65° / -60°
Weight*	7,100 kg
Gradeability - 4WD	50%
Turning Radius (Inside) - 4WD	2.13 m
Turning Radius (Outside) - 4WD	5.03 m
Axle Oscillation	12.70 cm
Drive Speed (Stowed)	7.2 km/h
Capacity	227 kg
Local Floor Load (With Rated Load)	9.48 kg/sq cm
Overall Floor Load (With Rated Load)	969 kg/sq m
Maximum # of Persons	2
Tyre Type	Foam-filled NM
Tyre Size	12 x 16.5
Diesel Engine	Deutz D2011L03i 48 HP (36 KW)
Fuel Tank Capacity	170 L
Hydraulic Reservoir	223 L



Skyjack Australia Pty Ltd
 Unit 1, 35 Honeycomb Drive
 Eastern Creek
 NSW 2766
 Australia
 Phone +61 (0) 2 9854 0700
 Fax +61 (0) 2 9854 0777
 Email: jcranmer@skyjack.com

www.skyjack.com

This brochure is for illustrative purpose only and based on the latest information at the time of printing. Skyjack Inc. reserves the right to make changes at any time, without notice, to specifications, standard and optional equipment. Consult the Operating Maintenance and Parts Manuals for proper procedures. AS marked platforms are in conformance to Standard AS/NZS 1418.10:2011.