



Adaptability and Performance

- ⇒ Optimised load rating
- ⇒ Hydraulic control for standard accessories
- ⇒ Tilt corrector as standard

Power and precision

- ⇒ Standard hydrostatic transmission
- ⇒ Simultaneous and proportional controls of all 4 movements of the boom with flow sharing

Safety and reliability

- ⇒ Standard rear axle locking
- ⇒ Dangerous movements cut out switch



Placing height : 17m



Maximum lift capacity :
4000 kg

Haulotte 
GROUP

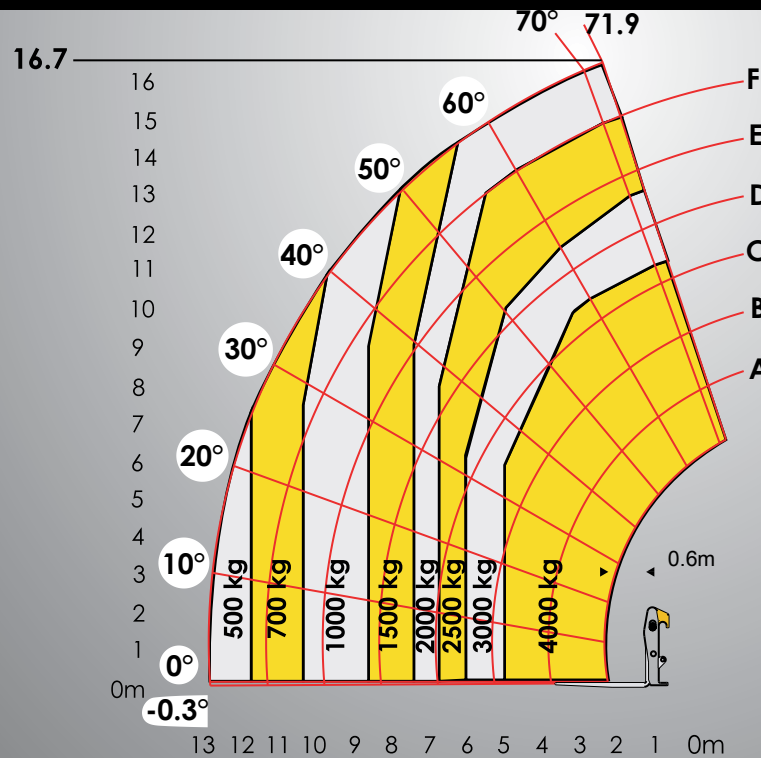
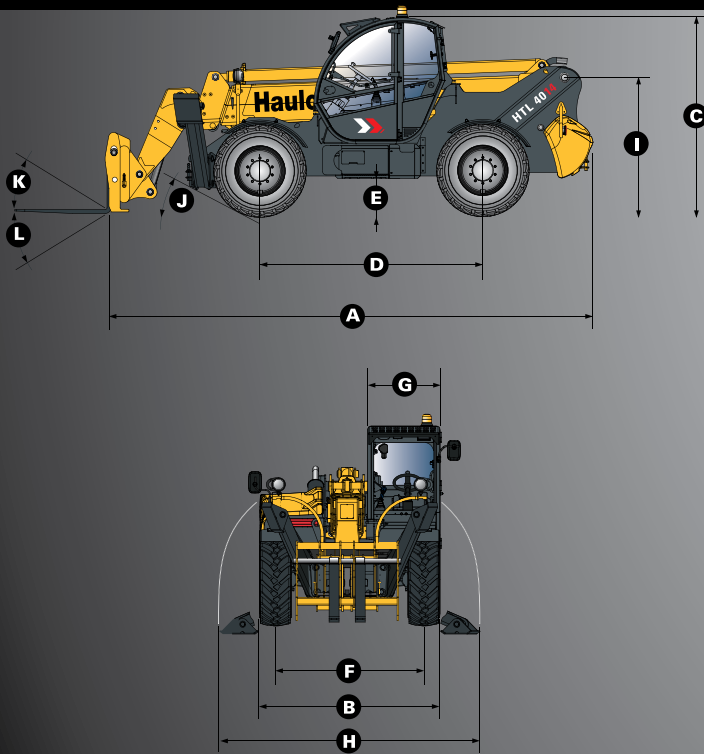
More than lifting



HTL 4017

TELEHANDLER

Placing height : 17m
Maximum lift capacity : 4000 kg



PERFORMANCES

Maximum lift capacity	4000 kg
Lift capacity to full height	2000 kg
Lift capacity at full reach	500 kg
Maximum fork height	17.2 m
Reach at maximum fork height	2.4 m
Maximum forward reach	12.85 m



DIMENSIONS

A - Length	6.76 m
B - Width	2.43 m
C - Height	2.67 m
D - Wheelbase	2.9 m
E - Ground clearance	50 cm
F - Track width	1.93 m
G - Cab width	0.96 m
H - Overall width - stabilizers down	3.34 m
I - Height to high boom pivot	1.75 m
J - Approach angle	29 °
K - Upper rotation of forks	18 °
L - Lower rotation of forks	104 °
Weight with forks	12100 kg
Tyres type	18 - 22,5 TMR4



ENGINE

Engine model	Deutz BF04M2012
Engine Capacity	4038 cm3
Engine power output	74,9 kW / 102 CV
Engine torque	0
Transmission type	Hydrostatic
Fuel tank	132.5 l
Engine oil	10 l

STANDARD EQUIPMENT

- Hydrostatic transmission with variable capacity pump and engine
- 4 wheel drive and steer
- Fuel filter with water separator
- Load sensing equipment pump
- Flow-Sharing electrically controlled controls
- Proportional controls for movement of boom/telescopic arm/excavation and accessories
- Safety valves on hydraulic jacks
- Possibility to combine mast/telescopic boom/excavation and accessories movements
- Auxiliary hydraulic ports
- Overload/dangerous movements cut out switch
- Tilt corrector: +/- 10 °
- Long stabilizers and large footplates for greater stability
- ROPS/FOPS cabin with heating and ventilation
- Hydraulic axle locking

OPTIONS AND ACCESSORIES

- Cold Weather Package
- Biodegradable oil
- Cold environment oil
- Hot environment oil
- Air conditioning
- Working lights
- Metal windscreen protector (FOPS)
- 4-in-1 bucket: 1m3 or 0.75m3

400006890 - Non contractual document - We reserve the right to modify the technical characteristics of this document without notice - 10/2011

Haulotte 
GROUP