



Best lifting performance

- High performance lifting capacity
- High maximum reach capacity

Best Precision and user comfort

- Full hydrostatic transmission for more comfort and productivity
- Best lateral visibility
- Dangerous movements cut out switch

Compact and strong

- 5 m length
- Tilt corrector as standard



Placing height : 10 m



Maximum lift capacity :
3500 kg

Haulotte 
GROUP

More than lifting



HTL 3510

TELEHANDLER

Placing height : 10 m
Maximum lift capacity : 3500 kg

PERFORMANCES

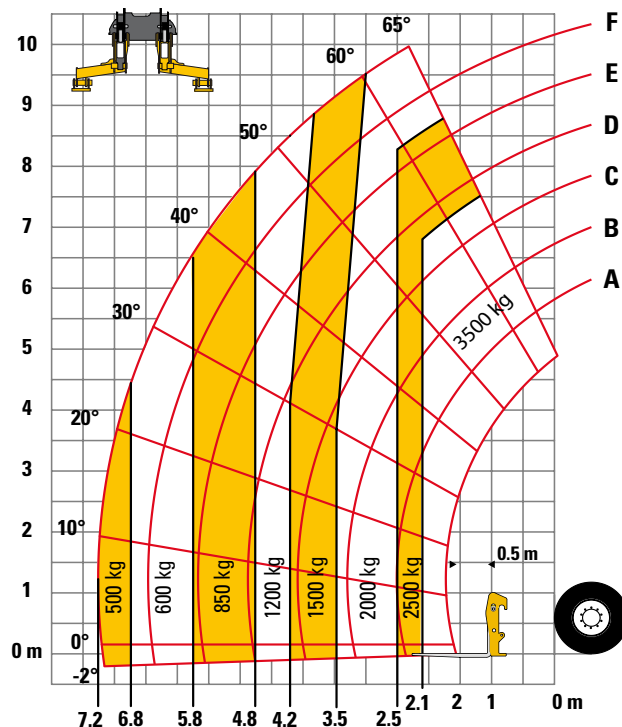
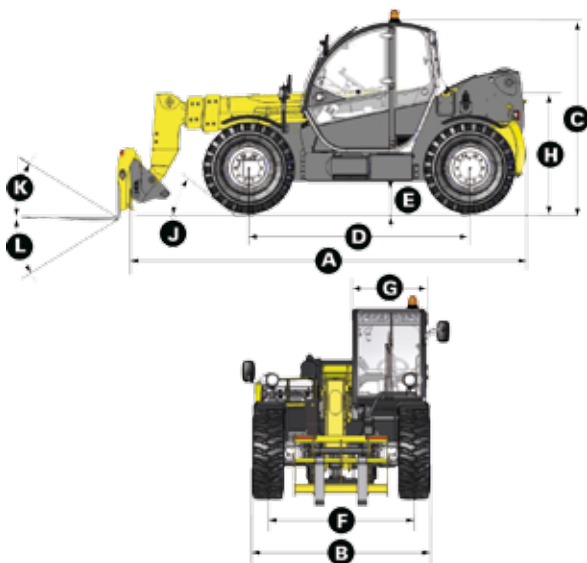
Maximum lift capacity	3500 kg
Lift capacity to full height	2000 kg
Lift capacity at full reach	500 kg
Maximum fork height	10 m
Reach at maximum fork height	2.2 m
Maximum forward reach	7.2 m

DIMENSIONS

A Length	4.96 m
B Width	2.26 m
C Height	2.42 m
D Wheelbase	2.78 m
E Ground clearance	42 cm
F Track width	1.88 m
G Cab width	0.96 m
H Height to high boom pivot	1.6 m
J Approach angle	30°
K Upper rotation of forks	18°
L Lower rotation of forks	104°
Turning radius (outside wheels)	3.7 m
Weight with forks	8610 kg
Tyres type	405/70 - 24

ENGINE

Engine model	Perkins 1104
Engine Capacity	4400 cm3
Engine power output	70 kW / 95 CV
Engine torque	392 Nm
Transmission type	Hydrostatic
Fuel tank	120 l
Engine oil	103 l



STANDARD EQUIPMENT

- Heavy duty Hydrostatic transmission with variable capacity pump and engine
- 4 wheel drive and steer
- Fuel filter with water separator
- Gear equipment pump
- Proportional controls for movement of boom/telescopic arm/excavation and accessories
- Safety valves on hydraulic jacks
- Auxilliary hydraulic ports
- Overload/dangerous movements cut out switch
- Tilt corrector: +/- 10°
- ROPS/FOPS cabin with heating and ventilation

OPTIONS AND ACCESSORIES

- Cold Weather Package
- Biodegradable oil
- Cold environment oil
- Hot environment oil
- Air conditioning
- Working lights
- 4-in-1 bucket and standards
- Jib attachment and winch
- Electrically hydraulic controls

