



Outstanding performance

- 22.5 m working height
- 18.3 m maximum outreach
- 230/450kg dual load capacity

Optimal productivity

- Best lifting speed 56 sec
- Fully proportional and simultaneous movements
- 4 wheel drive
- 4 wheel steer

Best comfort and safety feeling

- Rigid boom
- Single control for both steering axles

Optimized maintenance time

- Easy access to all components
- Easy boom maintenance
- New fully modular basket



Haulotte 
GROUP

More than lifting





HT23 RTJ

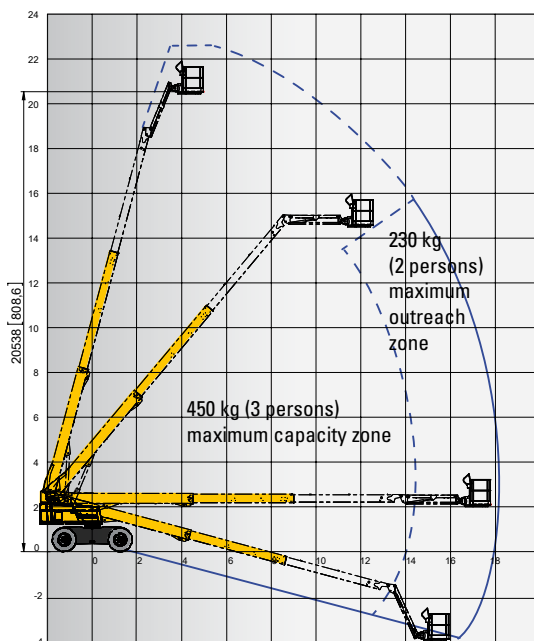


ROUGH TERRAIN TELESCOPIC BOOMS

TECHNICAL DATA

HT23 RTJ 4WS

Working height	22.5 m
Platform height	20.5 m
Horizontal outreach	18.3 m
Lift capacity	230 kg / 450 kg
F x G Platform size	2.44 x 0.91 m
A Length - stowed	10.4 m
H Length - transport	7.8 m
B Width	2.47 m
C Height - stowed	2.7 m
I Height - transport	3.3 m
Vertical jib range	133° (+68/-65)
Platform rotation	180° (+90/-90)
Boom range	90° (+75/-15)
Turntable rotation	360° continuous
D Wheelbase	2.5 m
E Ground clearance	34 cm
Max slope	5°
Drive speed	0.5 - 6.5 km/h
Gradeability	40 %
Turning radius - outside	3,4 m
Tires - foam-filled	385/65 - 22.5
Engine	Kubota 36.5 kW - 48.9 h
Weight	13400 kg



STANDARD EQUIPMENT

- 4 wheel drive and steer
- Dual load capacity 230 / 450 kg (2 / 3 persons)
- Automatic differential lock increase rough terrain capacity
- Front oscillating axle increases stability on uneven ground
- Proportional controls enhance comfort and safety
- 4 simultaneous movements for maximum productivity
- Maximum wind speed 45 km/h
- Swing door entry gate
- Upper control box cover
- Tool tray
- On-board generator
- Hour meter
- Low fuel level indicator (upper & lower control box)
- 12 V battery / electrical control system
- Motion flashing light
- Electric pump system and emergency descent
- Tilt alarm
- Load sensing alarm
- Descent and travel alarm
- Diagnostic display for fault and service alerts
- Large modular basket now easier and faster to repair
- Swing out engine tray for ease of maintenance
- Boom maintenance (extension system, upper pads replacement) without boom disassembly

OPTIONS AND ACCESSORIES

- Narrow modular platform: 1.83 m x 0.91 m
- Power to platform (Female plug in the basket with or without circuit-breaker 30mA)
- Air line to platform 13 mm inner diameter
- Working lights
- Biodegradable hydraulic oil
- Cold weather package
- Warm environment package
- Rotating beacon
- 60 km/h wind speed
- Mine Spec

